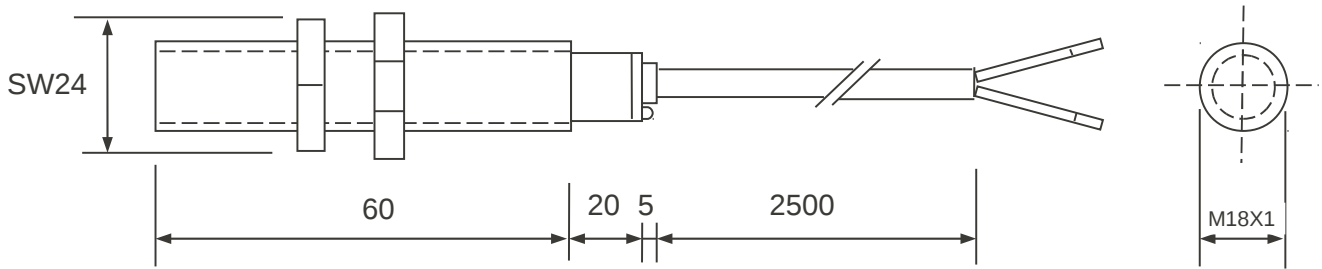


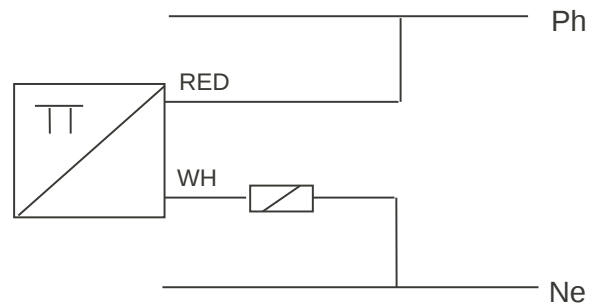
## DIMENSIONS



## SPECIFICATIONS

## WIRING DIAGRAM

1. Output : N/O
2. Supply Voltage : 110-230V AC
3. Supply Frequency : 40-60 Hz
4. Operating Distance :  $5 \pm 0.5$  mm
5. Hysteresis : <10%
6. Minimum Switching Current : 5mA
7. Maximum Switching Current : 250 mA
8. Voltage Drop : 6-10V
9. Repetition : 25 Hz
10. Supply Voltage Drift :  $\pm 0.5$  mm
11. Function Indication : 3mm Red LED
12. Operating Temperature :  $-20^{\circ}\text{C}$  to  $60^{\circ}\text{C}$
13. Housing : Brass Nickel Plated
14. Standard Target : 18x18x1 mm
15. Correction Factor : St=1, Br=0.5, Al=0.46, Cu=0.4
16. Cable : 2 x 0.3 sq.mm



**Magnum Controls**  
COIMBATORE

**PROXIMITY SWITCH**  
**MODEL : PS18AAO**