

1 & 3 V, A, F Meters – DM1000 & 3000 Series



Universal, User Programmable . .

All your needs in just five flexible & compact models



DM3110 - 3 Ammeter



DM1210 - 1 Voltmeter



DM1310 - 1 Frequency

| Unique | DM1110 1 A | DM3110 3 A | DM1210 1 V | DM3210 3 V | DM1310 1 F |
|---|-----------------------------|---------------|------------------------------|------------------------------|-------------------------------|
| <ul style="list-style-type: none"> Universal ranges Wide range Auxiliary supply (Control power) Low burden | 50 mA to 6 A 45 to 65 Hz | | 44 to 480 VAC 45 to 65 Hz | 80 to 480 VLL 45 to 65 Hz | 20 to 100 Hz 44 to 480 VAC |
| | 90 to 300 VAC (50/60 Hz) | | | | |
| | Aux < 3 VA at 240 V | | | | |
| | Amps < 0.2 VA | | Volts < 0.2 VA | | |
| <ul style="list-style-type: none"> Simple to order & Easy to stock User Programmable Auto scaling | CT ratio | | PT ratio | | Auto |
| | A to kA | | V to kV | | 20 to 100 Hz |

High Accuracy % of reading

Volts & Amps : **1.0%, 0.5% of R_{dg}**

Frequency : 0.2% of R_{dg}

Bright red LED Display

Full 4 Digits, 0.1% Resolution

Smart

- Elegant industrial look
- Intuitive Dual function key
- Auto exit from setup
- Bright LED indicators - Kilo & Phase indications for measured value

Rugged Construction

- Emission : CISPR22
- Fast Transient : 4 kV IEC 61000-4-4
- Surge withstand : 4 kV IEC 61000-4-5
- ESD : 15 kV Air discharge, 8 kV contact discharge IEC 61000-4-2
- Impulse voltage : 6 kV, 1.2/50 μSecond, IEC 60060
- Safety : Self extinguishable V0 plastics
Measurement category III
Pollution degree 2
Spacing & Isolation as per UL & IEC Standards

Sealed-dust proof construction

Temperature

Operating : -10 °C to 60 °C (14 °F to 140 °F)

Storage : -25 °C to 70 °C (-13 °F to 158 °F)

Weight

: 400 gms approx, Unpacked;

500 gms approx, Shipping

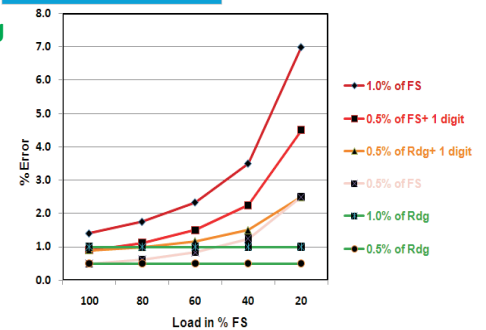
Panel cut out

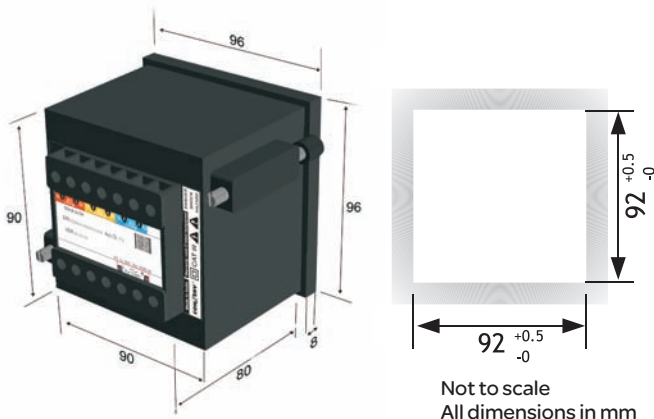
: 92 x 92 mm Flush mount

Applications

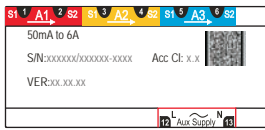
- 1 & 3 AC Volts, Amps and 1 Hz measurement & Monitoring
- 3 Phase Volts & Hz monitoring with selector switch (DM1000 series)
- Electrical load monitoring
- Gensets, Test benches & Laboratories
- Capacitor rated current measurement in PFI panels

Typical Error Claims in the market



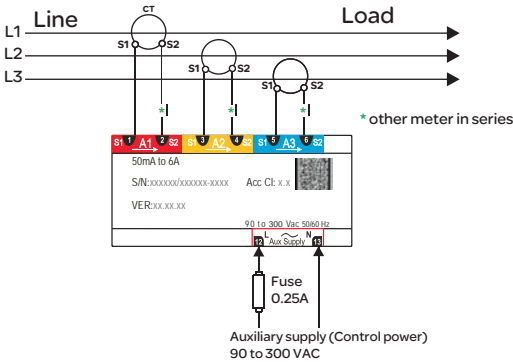


Not to scale
All dimensions in mm

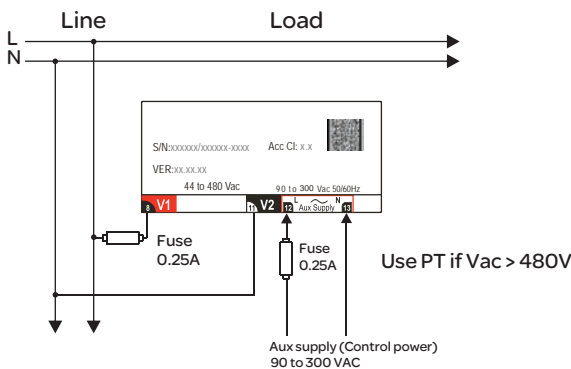


Terminal representation only.
For other models please refer the Quick start guide.

DM3110 - 3 Ammeter



DM1210 - 1 Voltmeter



Wiring representation only. For other models please refer the Quick start guide

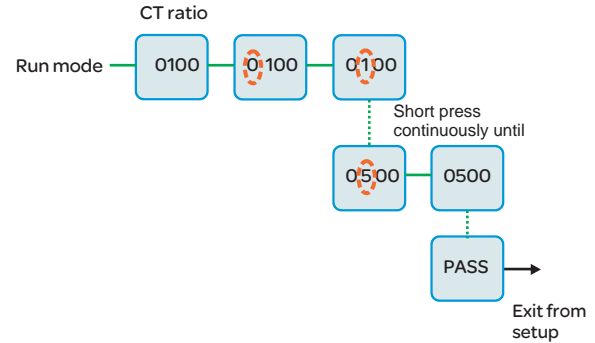
Schneider Electric Conzerv strives for continuous product innovation. Product specifications are therefore subject to change without notice.



| Duration of press | Action |
|-------------------|---|
| Five seconds | Setup entry |
| Long press - | Digit/Value selection to edit in setup |
| Two seconds | |
| Short press - | <ul style="list-style-type: none"> Scroll down the display pages Digit/Value editing in setup |
| Simple one touch | |

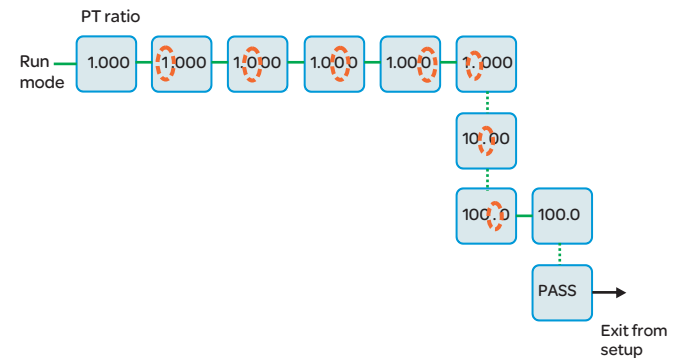
DM1110 & DM3110: 1 & 3 Ammeter

Editing CT ratio e.g. CTr = 2500/5 i.e. 500



DM1210 & DM3210: 1 & 3 Voltmeter

Editing PT ratio e.g. PTr = 11 kV/110 i.e. 100



- Key Long press
- Key Short press
- Digit/Value selection
- Digit/Value 1 is selected

Ordering Information

Specify

| Model no | Accuracy | Meter type | Alternate for existing models |
|---------------------------------|--|-------------|-------------------------------|
| <input type="checkbox"/> DM1110 | | 1 Ammeter | DM 3252 DM 3259 |
| <input type="checkbox"/> DM1210 | <input type="checkbox"/> Cl 1.0 <input type="checkbox"/> Cl 0.5 | 1 Voltmeter | DM 3250 DM 3251 |
| <input type="checkbox"/> DM1310 | | 1 Frequency | DM3270 |
| <input type="checkbox"/> DM3110 | <input type="checkbox"/> Cl 1.0 <input type="checkbox"/> Cl 0.5 | 3 Ammeter | DM 3258 DM 3261 |
| <input type="checkbox"/> DM3210 | | 3 Voltmeter | DM 3256 DM 3257 |