

AC axial fans

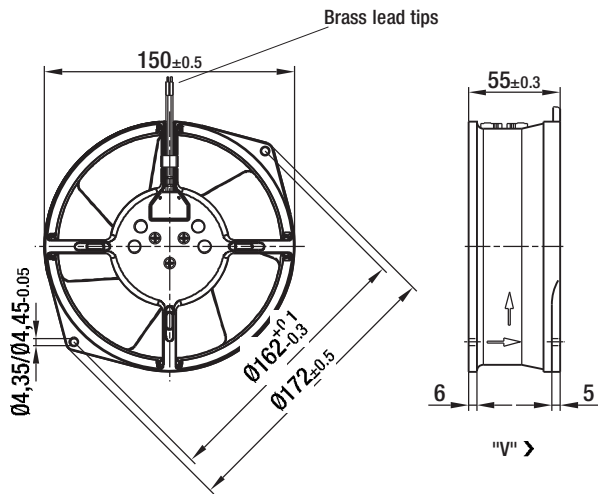
Ø 130



- **Material:**
 Wall ring: Die-cast aluminium, coated in black
 Blades: Sheet steel, coated in black
 Rotor: Open, coated in black
- **Number of blades:** 7
- **Direction of air flow:** "V", exhaust over struts
- **Direction of rotation:** Counter-clockwise, seen on rotor
- **Type of protection:** IP 20
- **Insulation class:** "B"
- **Mounting position:** Any
- **Condensate discharges:** None
- **Mode of operation:**
 Continuous operation (S1)
- **Bearings:** Maintenance-free ball bearings
- **Motor protection:** TOP wired internally
- **Electrical connection:**
 Cable length 330 mm, beginning at wall ring
- **Protection class:** I
- **Product conforming to standards:**
 EN 60335-1, CE
- **Approvals:** VDE, UL, CSA, CCC, GOST

Nominal data		Curve	Nominal voltage	Frequency	Air flow	Speed/rpm	Power input	Current draw	Capacitor	Sound pressure level	Max. operative range	Perm. amb. temp.	Mass	Electr. connection
Type	Motor		VAC	Hz	m³/h	rpm	W	A	µF/VDB	dB(A)	Pa	°C	kg	p. 416 f.
W2S 130-AA25 -01	M2S 052-CA	Ⓐ	1~ 115	50	325	2800	41	—	—	49	80	-25 to +60	1.1	B)
			1~ 115	60	380	3250	38	—	—	53	120	-25 to +80		
W2S 130-AA03 -01	M2S 052-CA	Ⓐ	1~ 230	50	325	2800	45	—	—	49	80	-25 to +50	1.1	B)
			1~ 230	60	380	3250	39	—	—	53	120	-25 to +70		

subject to alterations



Curves

