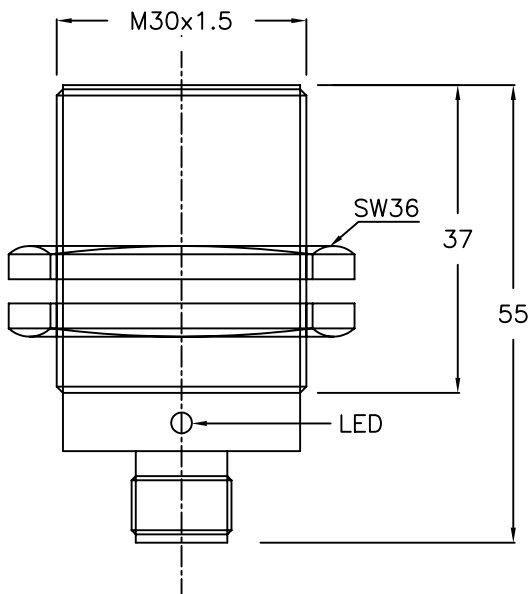
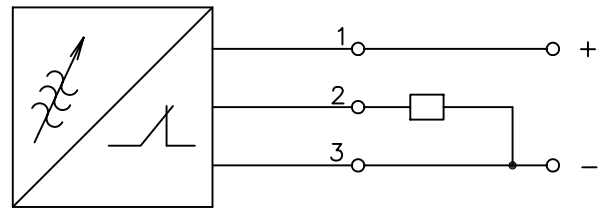


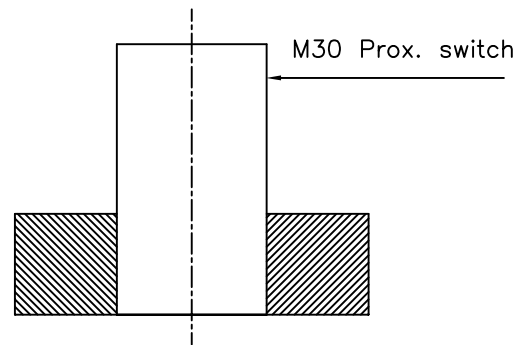
DIMENSIONS



WIRING DIAGRAM



MOUNTING DETAILS



SPECIFICATIONS:

Supply Voltage	: 10-30 VDC
Output Logic	: PNP, N/C
Operating Distance	: 10 ± 0.1 mm
Hysteresis	: <10%
Repetition Rate	: 300 Hz
Repeatability	: 0.3 mm
Maximum Load Current	: 200 mA
Current Consumption	: <25mA
Voltage Drop	: <2.2 V @ max. rated current
Residual Voltage	: <0.8 V
Operating Temperature	: -25°C to +75°C
Mounting	: Flush
Standard Target	: 30x30x1 mm Plate
Function Indication	: LED
Protection	: Short Ckt & Polarity reversal
Housing	: Nickel Plated Brass
Connection	: M12 Connector