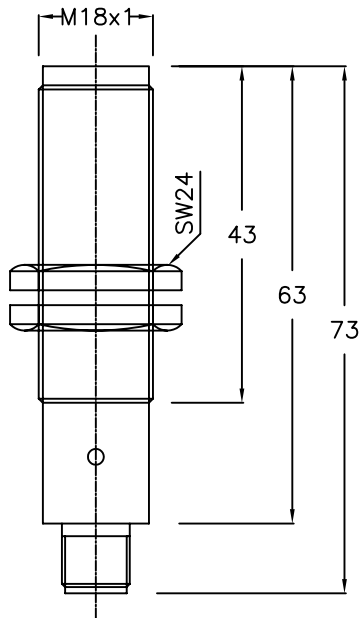
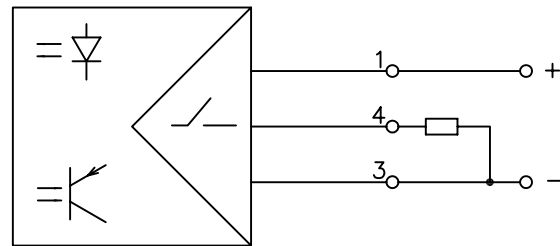


DIMENSIONS



WIRING DIAGRAM



SPECIFICATIONS

Type	: Diffused
Operating Range $S_n$	: 290 +/-10mm
Range of Certainty $R_w$	: $S_n \times 0.81$
Effective Beam Diameter	: 20mm @ 0.5 $S_n$
Hysteresis	: <10%
Supply Voltage	: 10-30 VDC
Current consumption	: <50mA
Load Current	: 200mA Max.
Voltage Drop	: 2.2 V
Switching Frequency	: 25 Hz
Output logic	: PNP, N/O
Residual voltage	: <0.8 V
Permissible Ambient Light	: 3000 lux
Operation Indicator	: LED
Housing	: Nickel Plated Brass
Connection Type	: M12 Connector

Revised on	Sign
26-04-01	
04-12-03	