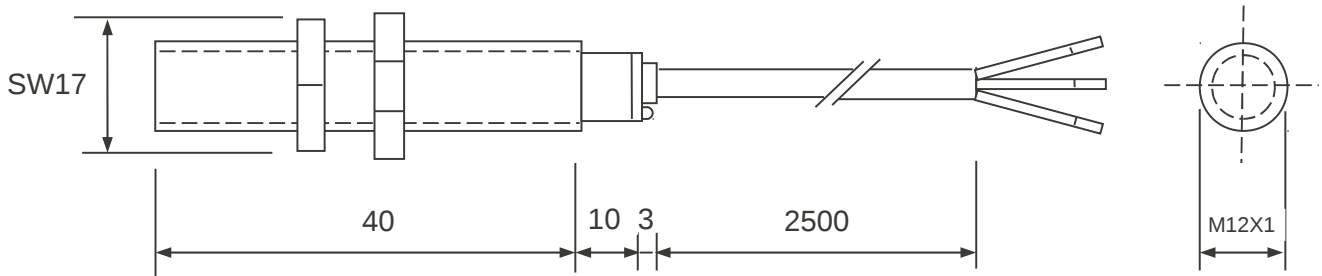


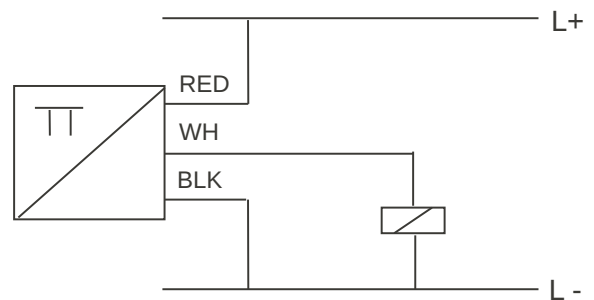
DIMENSIONS



SPECIFICATIONS

WIRING DIAGRAM

- | | |
|---------------------------|---------------------------------|
| 1. Type | : PNP |
| 2. Output | : N/O |
| 3. Supply Voltage | : 5-30V DC |
| 4. Current Consumption | : 15mA Max |
| 5. Operating Distance | : 2 ± 0.2 mm |
| 6. Hysteresis | : <10% |
| 7. Voltage Drop | : 0.5V Max |
| 8. Load Current | : 200mA Max |
| 9. Repetition | : 2 KHz Max |
| 10. Supply Voltage Drift | : ± 0.2 mm |
| 11. Function Indication | : 3mm Red LED |
| 12. Operating Temperature | : -20°C to 60°C |
| 13. Housing | : Brass Nickel Plated |
| 14. Standard Target | : 12x12x1 mm |
| 15. Correction Factor | : St=1, Br=0.5, Al=0.46, Cu=0.4 |
| 16. Cable | : 3 x 0.3 sq.mm |



Magnum Controls
COIMBATORE

PROXIMITY SWITCH
MODEL : PS12DAPO