



# Moulded Case Circuit Breakers

New DU Series  
20 A to 250 A



## About us

Larsen & Toubro is a technology-driven USD 7 billion company that infuses engineering with imagination. The Company offers a wide range of advanced solutions in the field of Engineering, Construction, Electrical & Electronics, Machinery and Information Technology.

L&T Switchgear, which forms part of the Electrical & Automation business, is India's largest manufacturer of low voltage switchgear, with the scale, sophistication and range to meet global benchmarks. With over four decades of experience in this field, the Company today enjoys a leadership position in the Indian market with growing presence in international markets.

It offers a complete range of products including controlgear, powergear, motor starters, energy meters, wires and host of other accessories. Most of our product lines conform to international standards, carry CE marking and are **KEMA** certified.

The DU Series, a new generation of MCCBs, stands out due to its state-of-the-art design, contemporary user-friendly features, wide choice of protective releases, ergonomics, aesthetics and compactness.

The DU Series complies with the latest standards like IEC 60947-2, EN 60947-2 & IS 13947-2. The products conform to international standards, carry CE marking and are **KEMA** & CB certified. The range is specially designed for tropical conditions, ensuring reliable performance at high ambient and humid environments. The range can satisfy the most demanding system requirements.

The DU Series, has a wide range of accessories, ensuring operational safety, reliability and versatility.



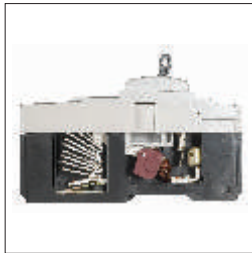
Switchgear Factory, Mumbai

L&T now extends the DU range of MCCBs with DU100H & DU250.

## Salient Features of New DU Series

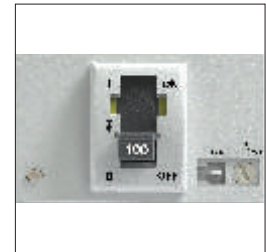
### New Technology

- ➔ Specially designed arc suction effect & speedo quench contact system



### Ergonomic Design & User Friendliness

- ➔ Knob designed for better grip
- ➔ Color indication of ON/TRIP/OFF
- ➔ Current rating on the knob
- ➔ Overload adjustment from front \*
- ➔ Easy ON/OFF/RESET operations
- ➔ Wide variety of snap fit accessories\*



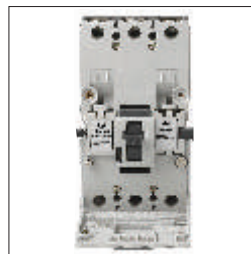
### Compact

- ➔ Compact size
- ➔ Suitable for side by side mounting
- ➔ Suitable for use in MCB Distribution Board



### Safe to Use

- ➔ Positive isolation with positive OFF indication
- ➔ Finger proof terminals
- ➔ Lockable shroud on thermal knob to prevent unauthorized operation\*
- ➔ CE Marked range



### Internal Accessories\*

- ➔ Auxiliary contacts
- ➔ Trip alarm contacts
- ➔ Combined Auxiliary + Trip alarm contacts #
- ➔ Shunt release \$
- ➔ Under Voltage release \$



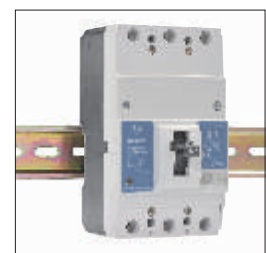
### External Accessories\*

- ➔ Direct mounted & extended ROM
- ➔ Spreader links
- ➔ Padlock is available (Only with ROM)
- ➔ Box clamps
- ➔ Terminal shroud\*\*



### Easy to Install

- ➔ 45mm door cutout
- ➔ Built in DIN rail mounting\*\*



\* For 3P & 4P MCCBs.

\*\* Only for DU100H

# To be fitted in the right cavity

\$ To be fitted in the LHS cavity

## Technical Data

### DU Series

Technical Parameter		Specification		
Type Designation		DU100H 1P	DU100H 2P/3P/4P	DU250 3P
No. of Poles		1	2/3/4	3
Rated Current	In	20 A to 100 A	20 A to 100 A	100 A to 250 A
Rated Operational Voltage	Ue	240 V	415 V	
Rated Insulation Voltage	Ui	690 V		
Operational Frequency		@ 50 or 60 Hz		
Reference Temperature		40°C		
Rated Ultimate S. C. Breaking Capacity (Icu)	240 V	25kA	65kA	65kA
	400 V	8kA	36kA	36kA
	415 V	5kA	30kA	36kA
	500 V	-	10kA	10kA
	600 V	-	5kA	5kA
Rated Service S. C. Breaking Capacity (Ics)		50% of Icu		
Mechanical Life	No. of operations	30000		10000
Electrical Life	No. of operations	6000		3000
Reference Standard		IEC 60947 - 2, EN 60947 - 2, IS 13947 - 2 (part 2)		
Type of Release		Thermal - Magnetic		
Thermal		Fixed	Variable (0.8 - 1.0 x In)	Variable (0.8 - 1.0 x In)
Magnetic		Fixed (10 x In)	Fixed (9 x In)	Fixed (9 x In)
Terminal Capacity				
Cables with Lug		35mm <sup>2</sup>		120mm <sup>2</sup>
With box clamp		35mm <sup>2</sup>		120mm <sup>2</sup>
Link		16mm		25mm
Overall Dimensions				
Width		25mm	75/75/100 mm	105mm
Height		130mm	130mm	165mm
Mounting Depth		60mm	60mm	60mm
Weight		0.28kg	0.60/0.73/0.96 kg	1.45kg

## Ordering Information

Rating	Catalogue No.
	DU250 3P
100 A	CM980640000
125 A	CM980630000
160 A	CM980620000
200 A	CM980610000
250 A	CM980600000

Rating	Catalogue No.			
	DU100H 1P	DU100H 2P	DU100H 3P	DU100H 4P
20 A	CM97922OOC2	CM97898OOC2	CM97894OOC2	CM97933OOC2
25 A	CM97922OOD2	CM97898OOD2	CM97894OOD2	CM97933OOD2
32 A	CM97922OOE2	CM97898OOE2	CM97894OOE2	CM97933OOE2
40 A	CM97922OOF2	CM97898OOF2	CM97894OOF2	CM97933OOF2
50 A	CM97922OOG2	CM97898OOG2	CM97894OOG2	CM97933OOG2
63 A	CM97922OOH2	CM97898OOH2	CM97894OOH2	CM97933OOH2
80 A	CM97922OOJ2	CM97898OOJ2	CM97894OOJ2	CM97933OOJ2
100 A	CM97922OOK2	CM97898OOK2	CM97894OOK2	CM97933OOK2

## Internal Accessories

3-Pole & 4-Pole versions

Description	Catalogue No.
Auxiliary Contact 1C/O	CM978860000
Auxiliary Contact 2C/O	CM978870000
Trip Alarm Contact (TAC) 1C/O	CM978880000
Trip Alarm Contact 2C/O	CM978890000
Aux. 1C/O + (TAC) 1C/O	CM978900000
Shunt Release 415/240 V AC	CM978830MOO
Under Voltage Release, 240 V AC	CM97892B000

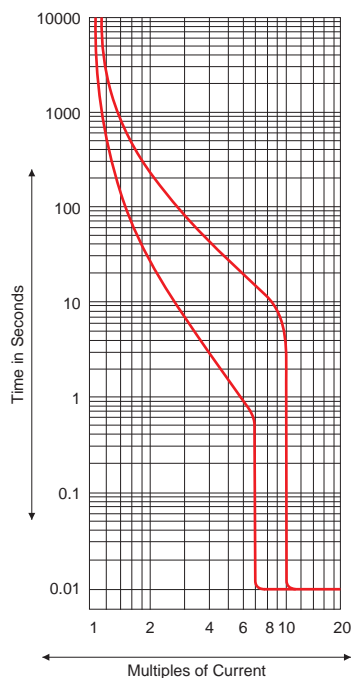
## External Accessories

3-Pole Version

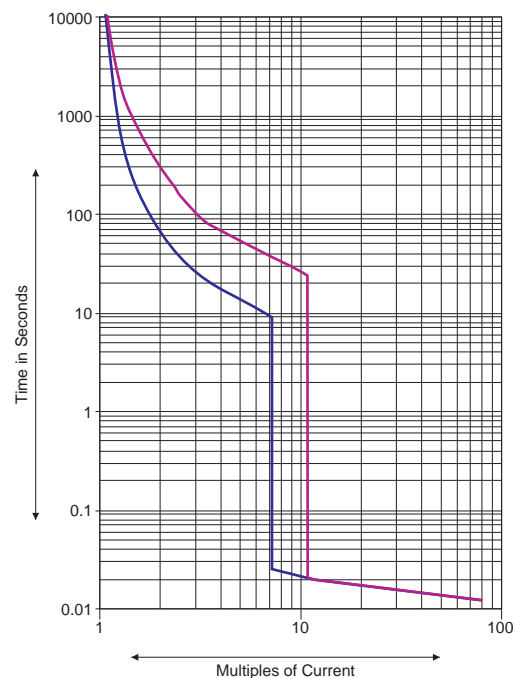
Description	DU100H 3P	DU100H 4P	DU250 3P
Spreader Links	CM977850000	CM979210000	ST980530000
ROM - Extended	CM978960000	CM978960000	CM980410000
ROM - Direct	CM978950000	CM978950000	CM980400000

## I-T Characteristics Curves

DU100H

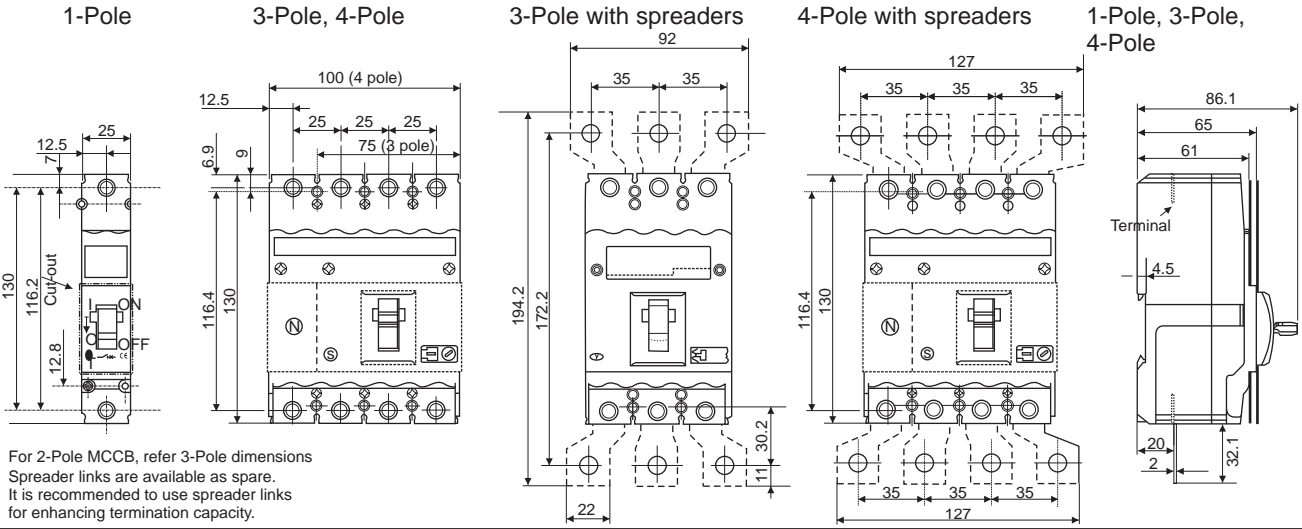


DU250 MCCB

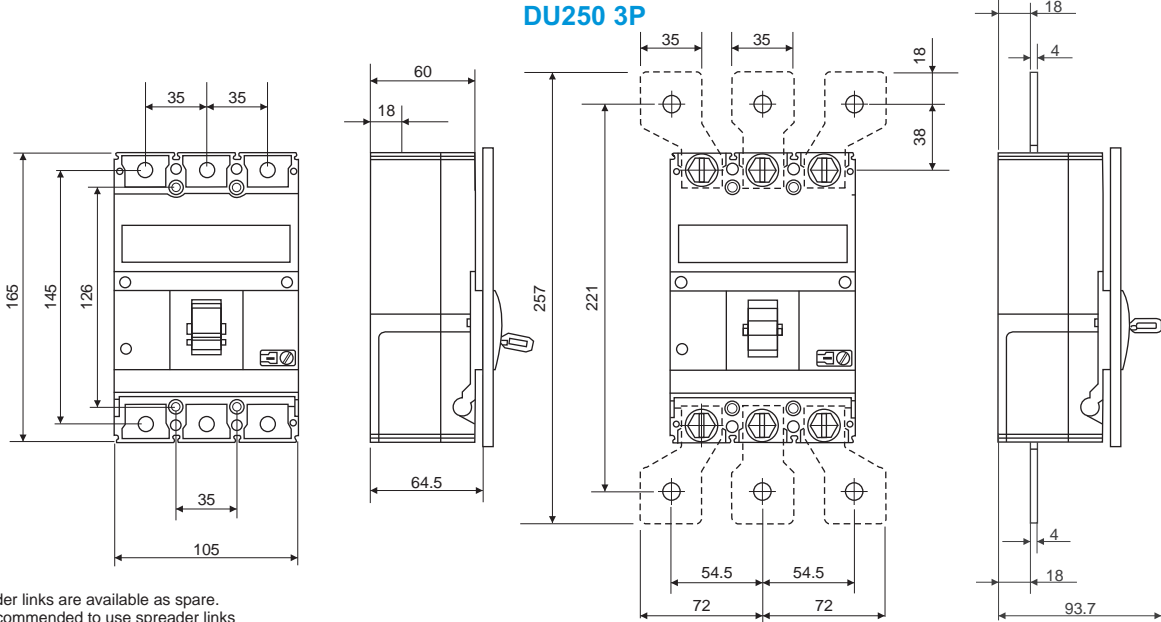


## Overall Dimensions

### DU100H

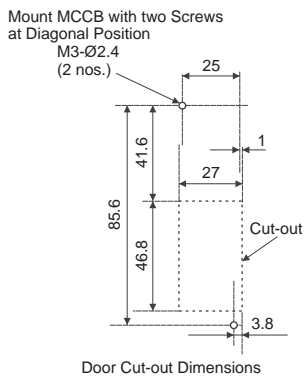


### DU250 3P

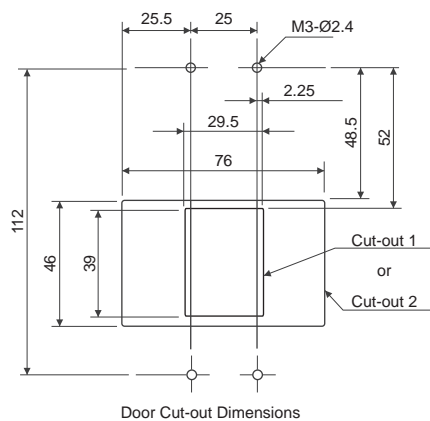


## Panel Cut-out Dimension

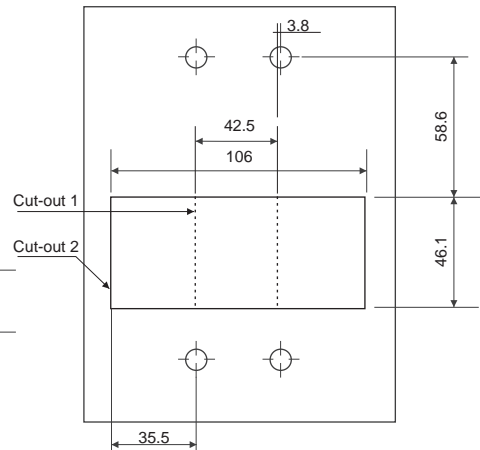
### DU100H 1P



### DU100H 3P



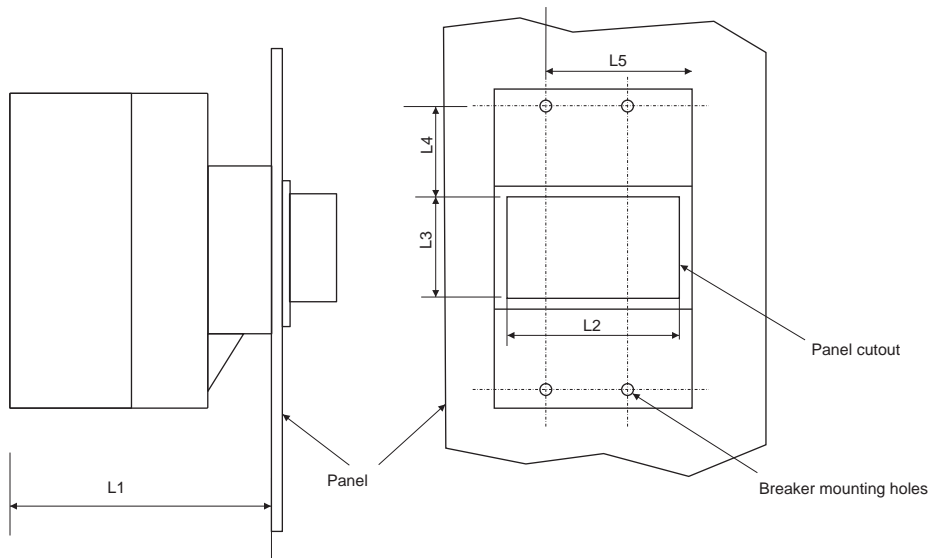
### DU250 3P



All dimensions are in mm

## ROM Mounting Dimension

### Mounting Dimensions - Direct ROM

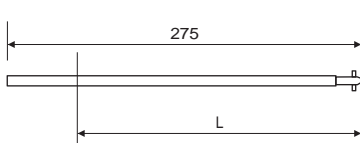
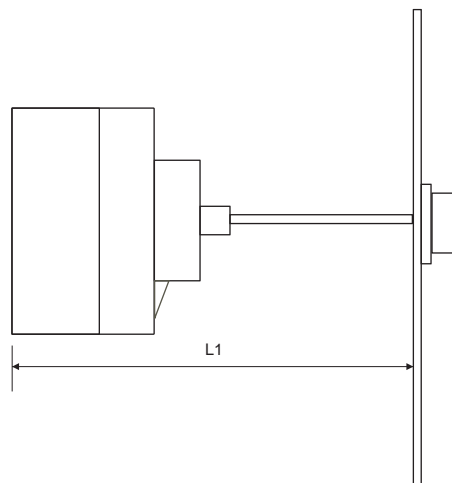


Type	L1	L2	L3	L4	L5
DU100H	96.5	58	52	44	37
DU250	96.5	75	52	56.5	55

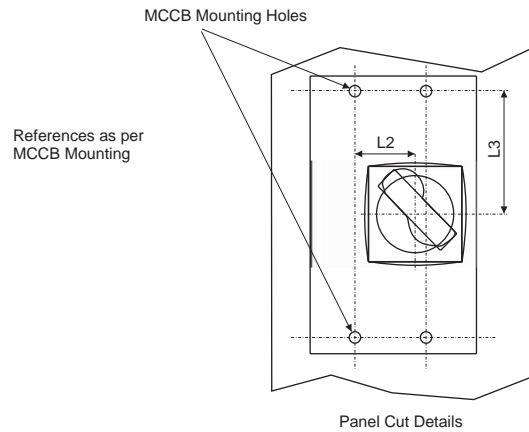
L1 = Mounting depth  
 L2/L3 = Panel cut-out  
 L4/L5 = Breaker mounting reference

## Extended ROM

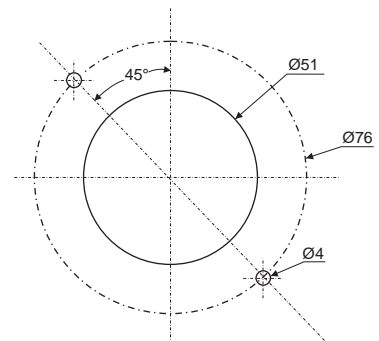
### Handle Assembly Mounting Dimensions - Extended ROM



Cut the shaft to the required length = L



As Viewed from the front



L = Length of Shaft required for  
 Panel Depth L1 (mm)  
 L1 = Min. Panel depth (mm)

Type	L1	L	L2	L3
DU100H	169	L1-119	7.5	69.5
DU250	169	L1-119	24.5	81.7

All dimensions are in mm